



We stock a limited number of shapes and sizes.
Please call to check for price and availability.

Indicates Stocked Item

9" x 4 1/2" x 2 1/2" SERIES SHAPES

 9" Straight † $9 \times 4\frac{1}{2} \times 2\frac{1}{2}$ 9" Eq.—1.00	 No. 2 Split (2") † $9 \times 4\frac{1}{2} \times 2$ 9" Eq.—0.80	 No. 1 Split (1/4") † $9 \times 4\frac{1}{2} \times 1\frac{1}{4}$ 9" Eq.—0.50
--	--	---

 Soap $9 \times 2\frac{1}{4} \times 2\frac{1}{2}$ 9" Eq.—0.50	 Small 9" Straight $9 \times 3\frac{1}{2} \times 2\frac{1}{2}$ 9" Eq.—0.78	 Jamb $9 \times 4\frac{1}{2} \times 2\frac{1}{2}$ 9" Eq.—0.89	 Neck $9 \times 4\frac{1}{2} \times (2\frac{1}{2} - \frac{3}{8})$ 9" Eq.—0.62
---	--	---	---

 No. 1 Arch $9 \times 4\frac{1}{2} \times (2\frac{1}{2} - 2\frac{1}{8})$ 9" Eq.—0.92	 No. 2 Arch $9 \times 4\frac{1}{2} \times (2\frac{1}{2} - 1\frac{3}{4})$ 9" Eq.—0.85	 No. 3 Arch $9 \times 4\frac{1}{2} \times (2\frac{1}{2} - 1)$ 9" Eq.—0.70	 Featheredge $9 \times 4\frac{1}{2} \times (2\frac{1}{2} - \frac{1}{8})$ 9" Eq.—0.52
--	--	---	--

 No. 1 Key $9 \times (4\frac{1}{2} - 4) \times 2\frac{1}{2}$ 9" Eq.—0.94	 No. 2 Key $9 \times (4\frac{1}{2} - 3\frac{1}{2}) \times 2\frac{1}{2}$ 9" Eq.—0.89	 No. 3 Key $9 \times (4\frac{1}{2} - 3) \times 2\frac{1}{2}$ 9" Eq.—0.83	 No. 4 Key $9 \times (4\frac{1}{2} - 2\frac{1}{4}) \times 2\frac{1}{2}$ 9" Eq.—0.75
--	---	--	---

 No. 1-X Wedge $9 \times 4\frac{1}{2} \times (2\frac{1}{2} - 2\frac{1}{4})$ 9" Eq.—0.95	 No. 1 Wedge $9 \times 4\frac{1}{2} \times (2\frac{1}{2} - 1\frac{1}{8})$ 9" Eq.—0.87	 No. 2 Wedge $9 \times 4\frac{1}{2} \times (2\frac{1}{2} - 1\frac{1}{2})$ 9" Eq.—0.80	 Edge Skew $9 \times (4\frac{1}{2} - 1\frac{1}{2}) \times 2\frac{1}{2}$ 9" Eq.—0.67
---	---	---	---

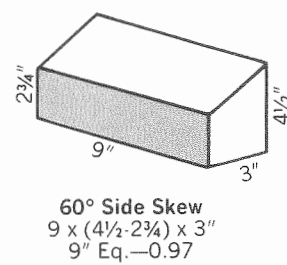
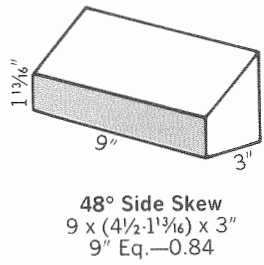
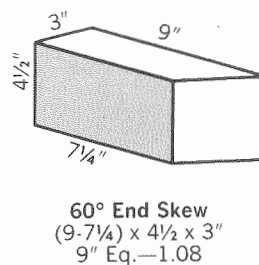
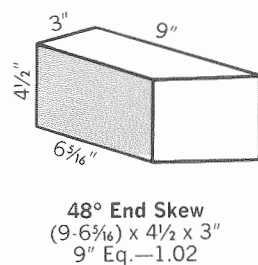
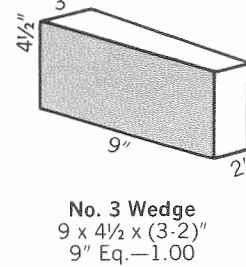
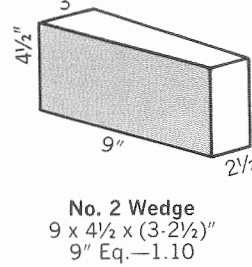
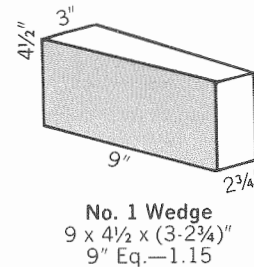
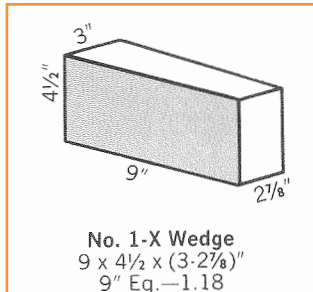
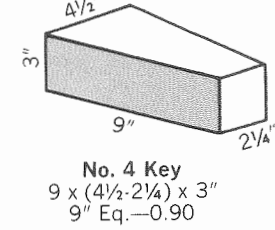
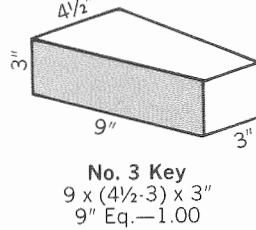
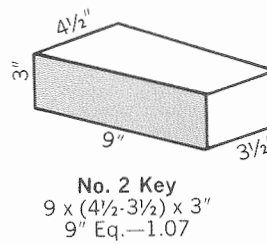
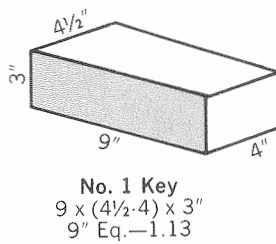
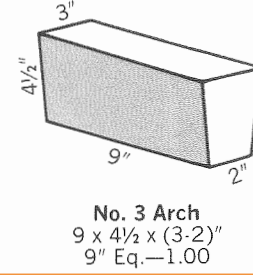
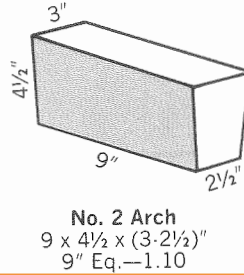
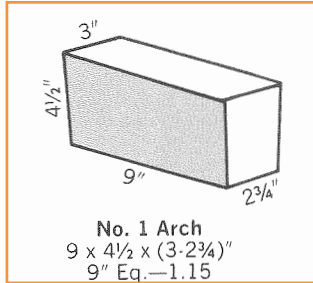
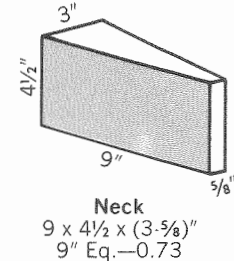
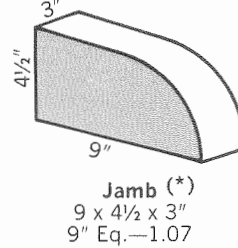
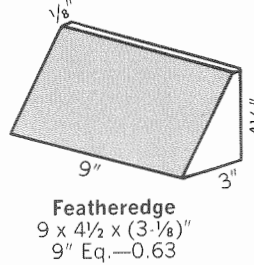
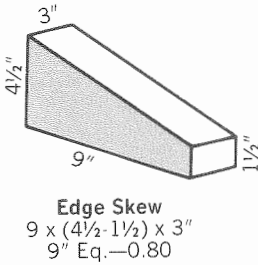
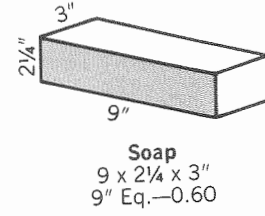
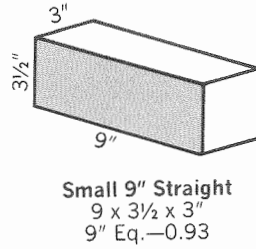
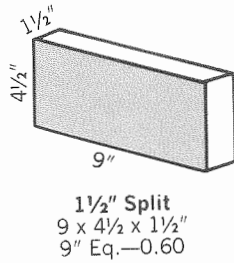
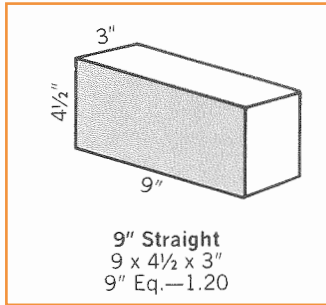
 48° End Skew $(9 - 6\frac{3}{4}) \times 4\frac{1}{2} \times 2\frac{1}{2}$ 9" Eq.—0.87	 60° End Skew $(9 - 7\frac{1}{16}) \times 4\frac{1}{2} \times 2\frac{1}{2}$ 9" Eq.—0.92	 48° Side Skew $9 \times (4\frac{1}{2} - 2\frac{1}{4}) \times 2\frac{1}{2}$ 9" Eq.—0.75	 60° Side Skew $9 \times (4\frac{1}{2} - 3\frac{1}{16}) \times 2\frac{1}{2}$ 9" Eq.—0.84
--	---	---	--



We stock a limited number of shapes and sizes.
Please call to check for price and availability.

Indicates Stocked Item

9" x 4 1/2" x 3" SERIES SHAPES

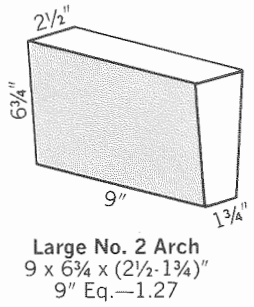
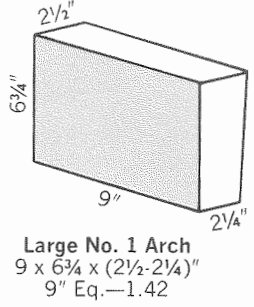
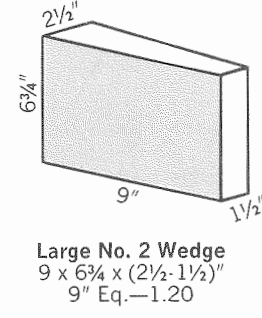
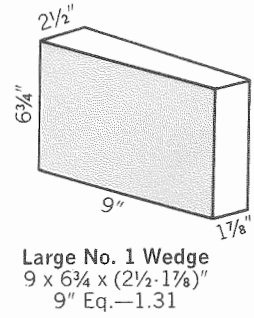
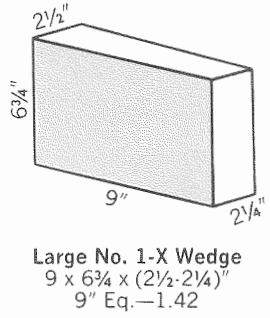
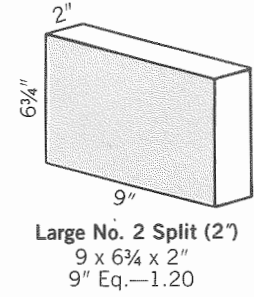
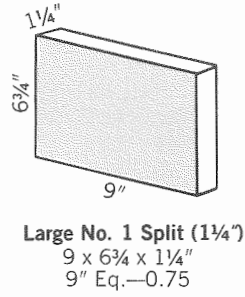
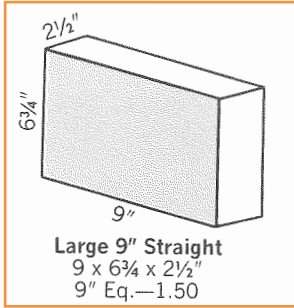




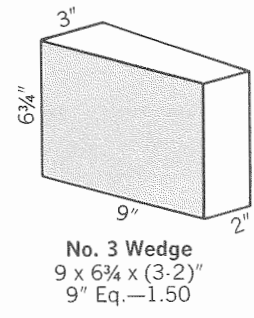
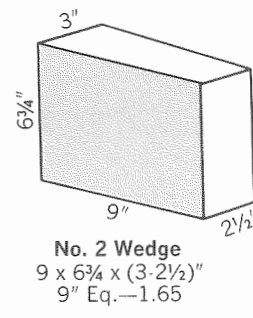
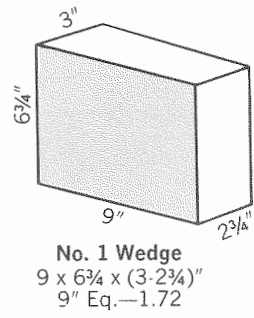
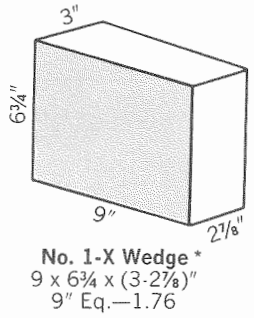
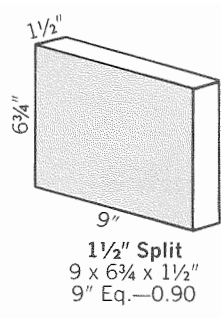
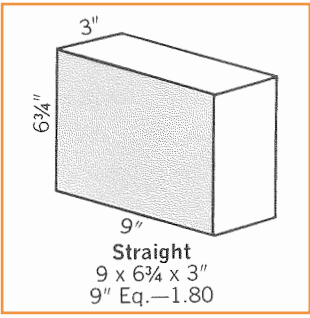
We stock a limited number of shapes and sizes.
Please call to check for price and availability.

Indicates Stocked Item

9" x 6³/₄" x 2¹/₂" SERIES SHAPES



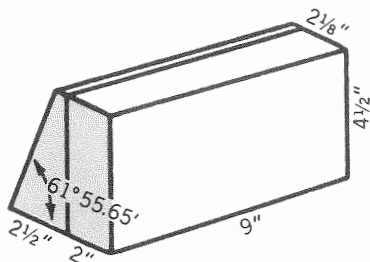
9" x 6³/₄" x 3" SERIES SHAPES



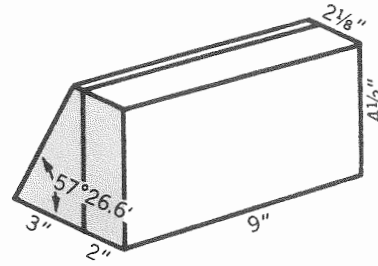


We stock a limited number of shapes and sizes.
Please call to check for price and availability.

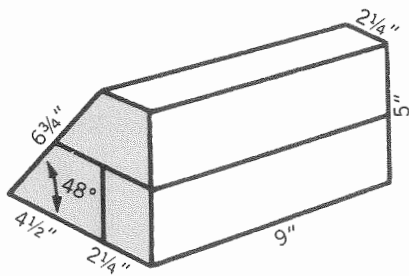
TYPICAL SKEWBACKS BUILT WITH STANDARD 9" BRICK



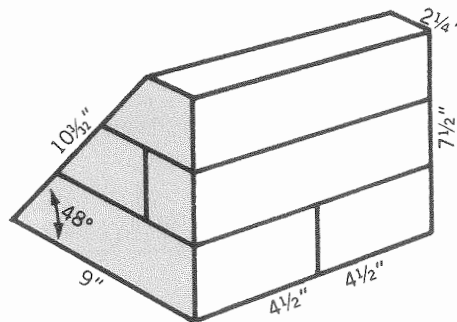
FOR ARCH 4 1/2" THICK
1 1/2" Rise per Foot of Span
Central Angle—56° 8.7'
Brick Required: 1 #2 Split
1 Featheredge (2 1/2")



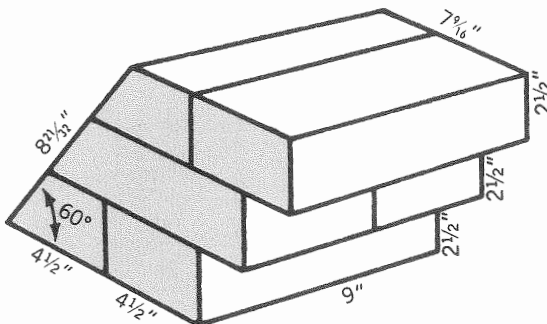
FOR ARCH 4 1/2" THICK
1 3/4" Rise per Foot of Span
Central Angle—65° 8.8'
Brick Required: 1 #2 Split
1 Featheredge (3")



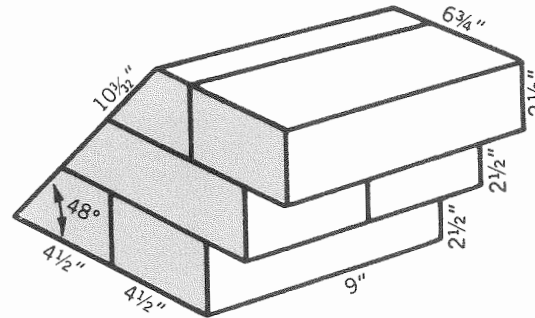
FOR ARCH 4 1/2" THICK
2 3/8" (2.302") Rise per Foot of Span
Central Angle—83° 58.5'
Brick Required: 2 48° Side Skews
1 Soap



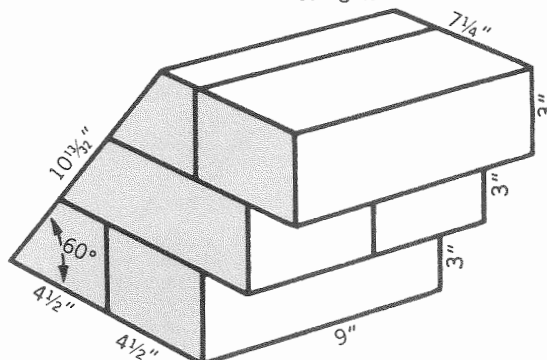
FOR ARCH 9" THICK
2 3/8" (2.302") Rise per Foot of Span
Central Angle—83° 58.5'
Brick Required: 2 48° End Skews
2 48° Side Skews
1 Soap



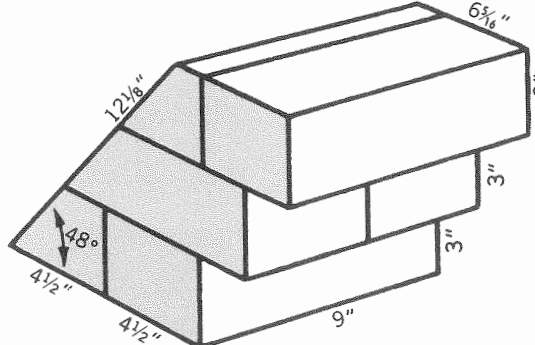
FOR ARCH 9" THICK
1 1/2" (1.608") Rise per Foot of Span
Central Angle—60°
Brick Required: 2 60° End Skews
2 60° Side Skews
2 Straights



FOR ARCH 9" THICK
2 3/8" (2.302") Rise per Foot of Span
Central Angle—83° 58.5'
Brick Required: 2 48° End Skews
2 48° Side Skews
2 Straights



FOR ARCH 9" THICK
1 1/2" (1.608") Rise per Foot of Span
Central Angle—60°
Brick Required: 2 60° End Skews (3")
2 60° Side Skews (3")
2 Straights (3")



FOR ARCH 9" THICK
2 3/8" (2.302") Rise per Foot of Span
Central Angle—84°
Brick Required: 2 48° End Skews (3")
2 48° Side Skews (3")
2 Straights (3")